

CYPRESS™ DELUXE GAS BURNING STOVE



CONTEMPORARY STYLING

The Cypress™ Gas Stove offers a unique and timeless presentation of fire, with clean lines and sleek styling. This stove features an open, three-sided design with a large wrap-around ceramic glass fireviewing area, allowing you to enjoy the beauty of the award-winning Ember-Fyre® log set from any angle in the room. The standard overhead accent lighting enhances the fire display even more, providing a warm glow that can be enjoyed with or without the flames on.

The Cypress™ is a powerful home heater, providing both radiant and convective heat to living spaces up to 2,000 square feet. This fully loaded GreenSmart® unit comes standard with a convection fan and the wireless GreenSmart® Remote, which includes features like Comfort Control™ that allows you to burn less fuel on warmer days while still enjoying a beautiful fire display.

SPECIFICATIONS

• Maximum BTU Input per Hour	40,000 NG & LP
• Minimum BTU Input per Hour	11,900 NG 7,400 LP
• Heating Capacity*	Up to 2,000 sq. ft.
• Canadian P.4.1 Efficiency	70.55% NG 71.93% LP
• Steady State Efficiency (High)	79.3% NG 80.37% LP
• AFUE	56.30% NG 56.70% LP
• Weight	310 Lbs (140 Kg)
• Glass Viewing Area	522 sq. in.
	Front: 13-3/4" H x 22-1/2" W Side: 13-3/4" H x 8-3/4" W

*Heating Capacity can be affected by negative pressure in the home and by prevailing atmospheric conditions. Contact local building or fire officials about restrictions and installation requirements in your area.

OPTIONS

Lopi gas stoves come in your choice of three finishes:

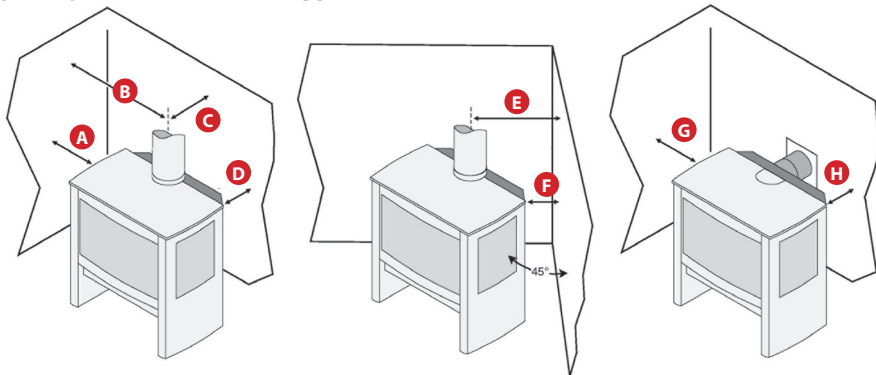
- NEW IRON - A soft charcoal paint
- HAND-RUBBED BRONZE PATINA - A rich, warm metallic finish
- OXFORD BROWN ENAMEL - A beautiful translucent brown enamel

CLEARANCES TO COMBUSTIBLES

STRAIGHT WALL

CORNER

REAR VENT



A = Side Wall To Unit	10" (254mm)	E = Wall to Flue Center	16-1/2" (420mm)
B = Side Wall To Flue Center	25-1/8" (638mm)	F = Wall To Unit	5" (127mm)
C = Back Wall To Flue Center	6-7/8" (175mm)	G = Side Wall To Unit	10" (254mm)
D = Back Wall To Unit	5" (127mm)	H = Back Wall To Unit	8-1/4" (210mm)

LISTINGS APPROVAL'S This appliance was listed by Omni Test Labs to ANSI Z21.88 CSA 2.33 - Report # 0028GH106S. Approved to Massachusetts Board of State Examiners of Plumbers and Gas Fitters.

MOBILE HOME REQUIREMENTS When the stove is installed in a mobile home, it must be bolted to the floor and the appliance grounded (use the optional blower with a grounded circuit or other suitable grounding method - current ANSI/NFPA 70 or CSA C22.1).

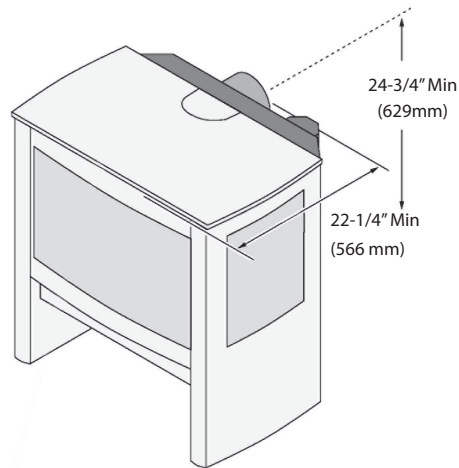
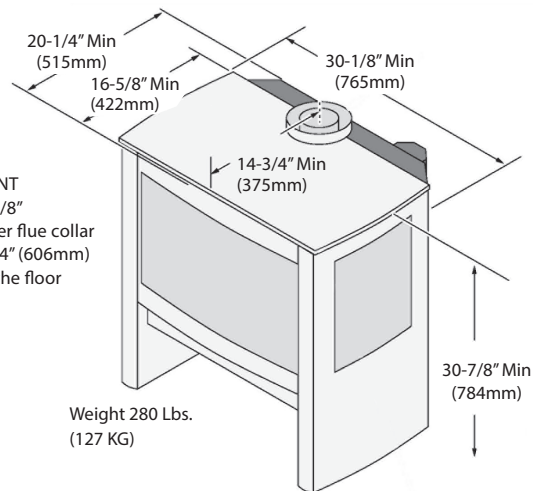
TOP VENT: Use 6-5/8" (168mm) Simpson Dura-Vent Direct Vent Pro (or GS). Always use the high-wind cap # 46DVA-VCH or 46DVA-CH.

REAR VENT: Use 8" (204mm) Simpson Dura-Vent Direct Vent Pro (or GS) with one of the following:

WITH NO VENT RISE: Use T. I. Minimum Vent Kit D #96200317.

WITH VENT RISE: Use T. I. Rear Vent Conversion (Part # 94400998).

Always use the high wind cap # 58DVA-VCH or 58DVA-CH.



HEARTH PAD

When the stove is installed directly on carpeting, vinyl or other combustible material other than wood flooring or a high pressure laminate wood floor, the stove must be installed on a metal or wood protection panel extending the full width and depth of the heater (Suggested Minimum Pad Size: 32" wide by 20" deep).

